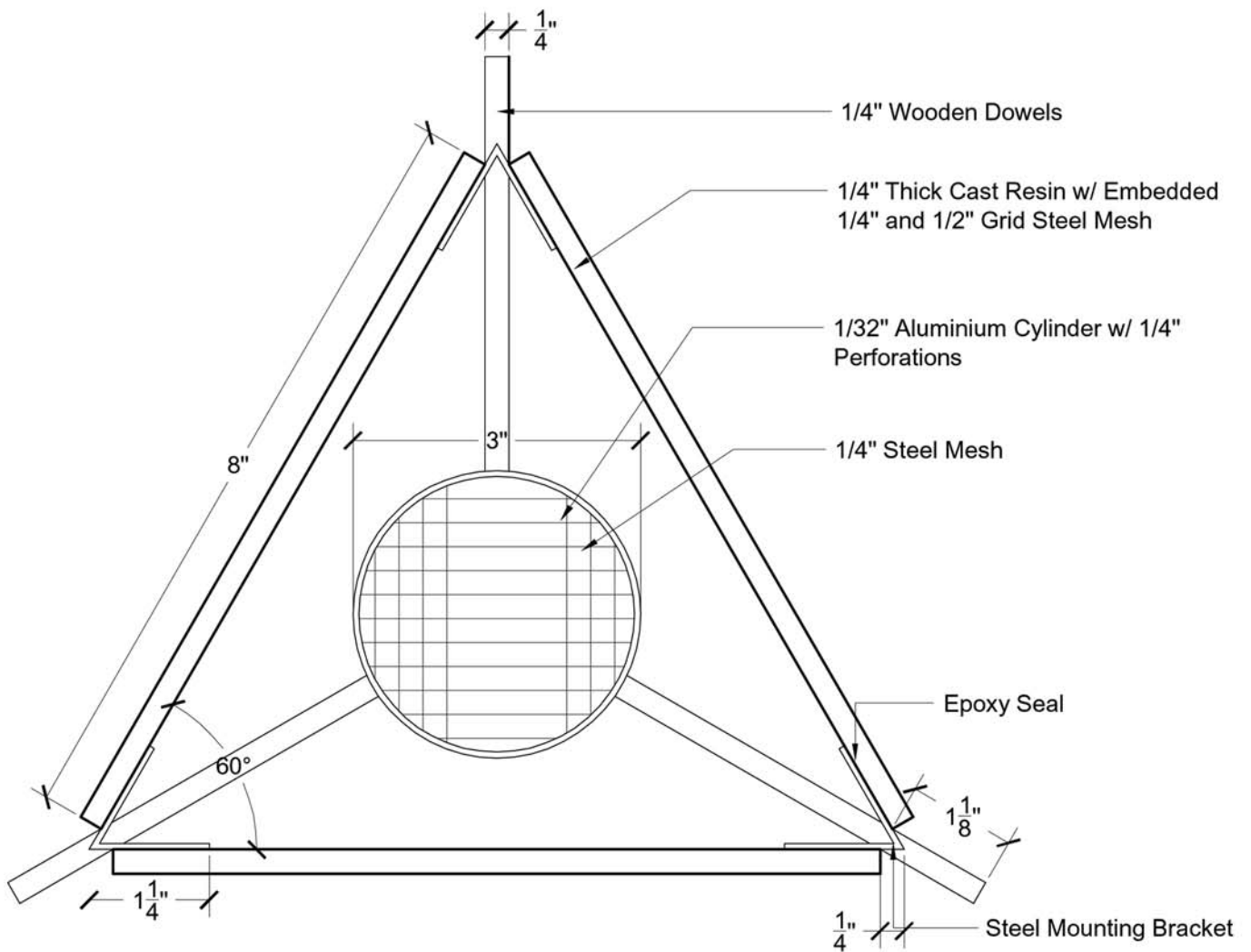
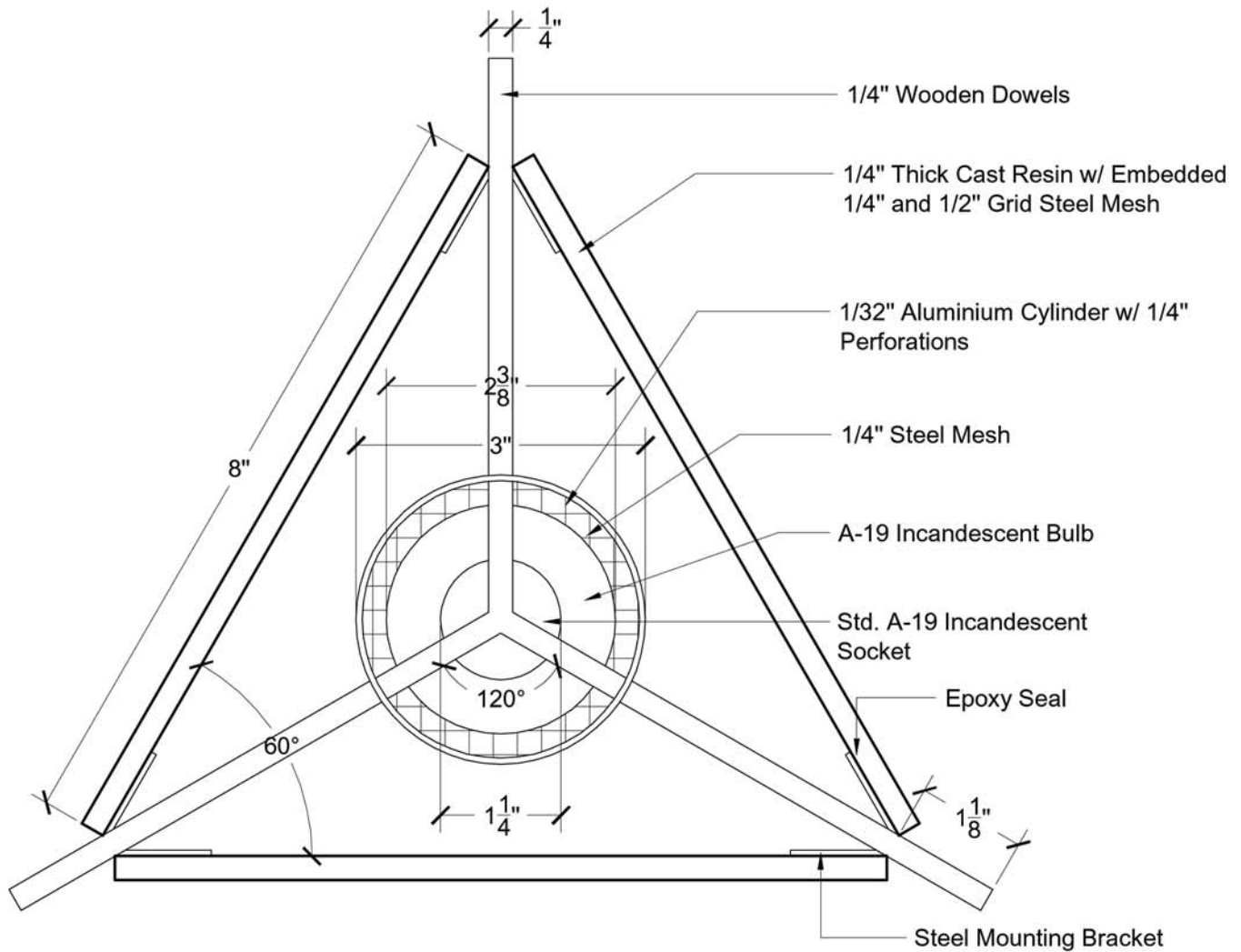




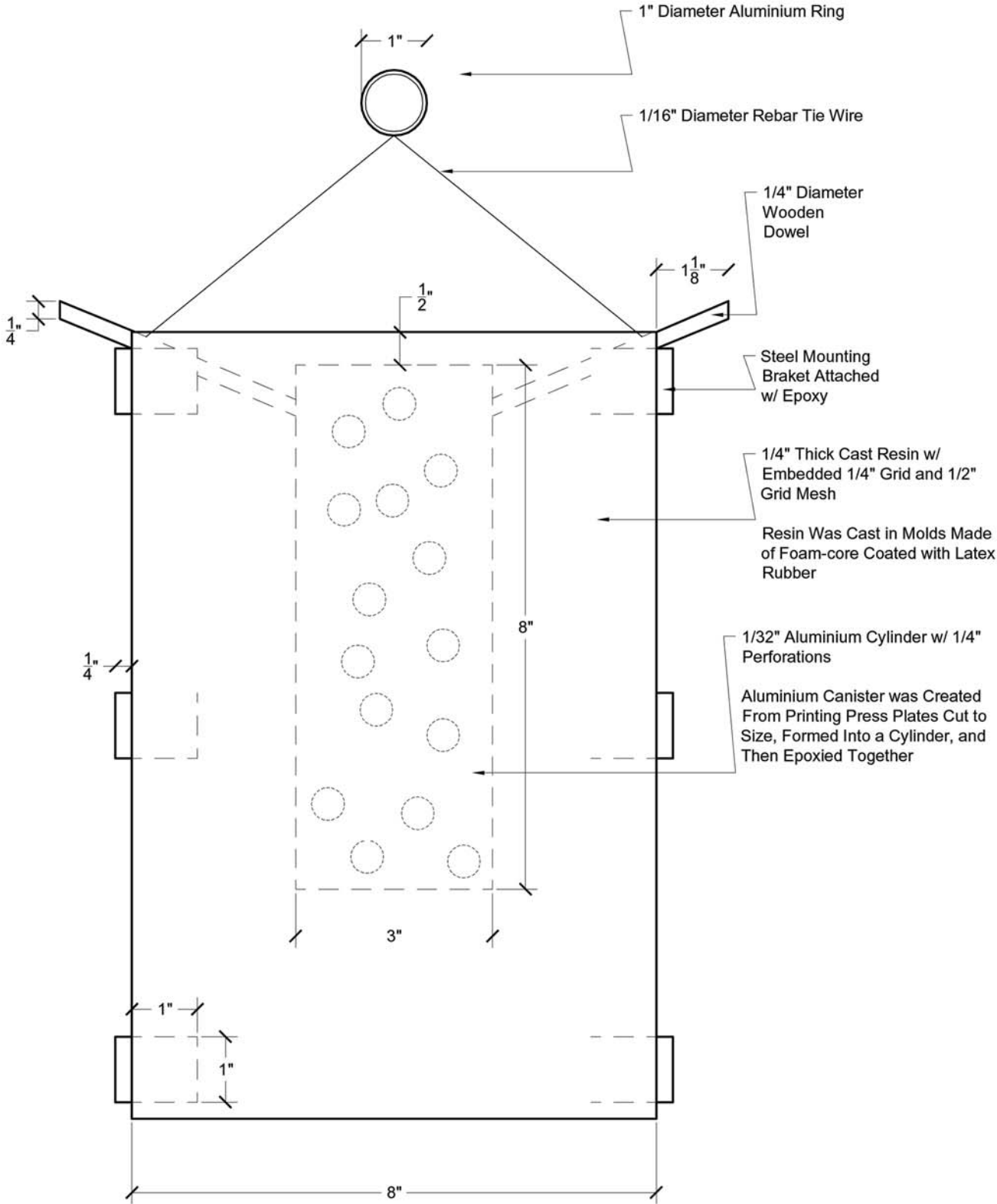
# Bottom Elevation



# Top Elevation



# Side Elevation





---

Nick Ladd  
Specular Distortion

Arch. 353/453 + 342: Light + Architecture  
Cal Poly San Luis Obispo, Spring 2002  
Professor Sandy Stannard



---

Nick Ladd  
Specular Distortion

Arch. 353/453 + 342: Light + Architecture  
Cal Poly San Luis Obispo, Spring 2002  
Professor Sandy Stannard

# Photometric Testing Form

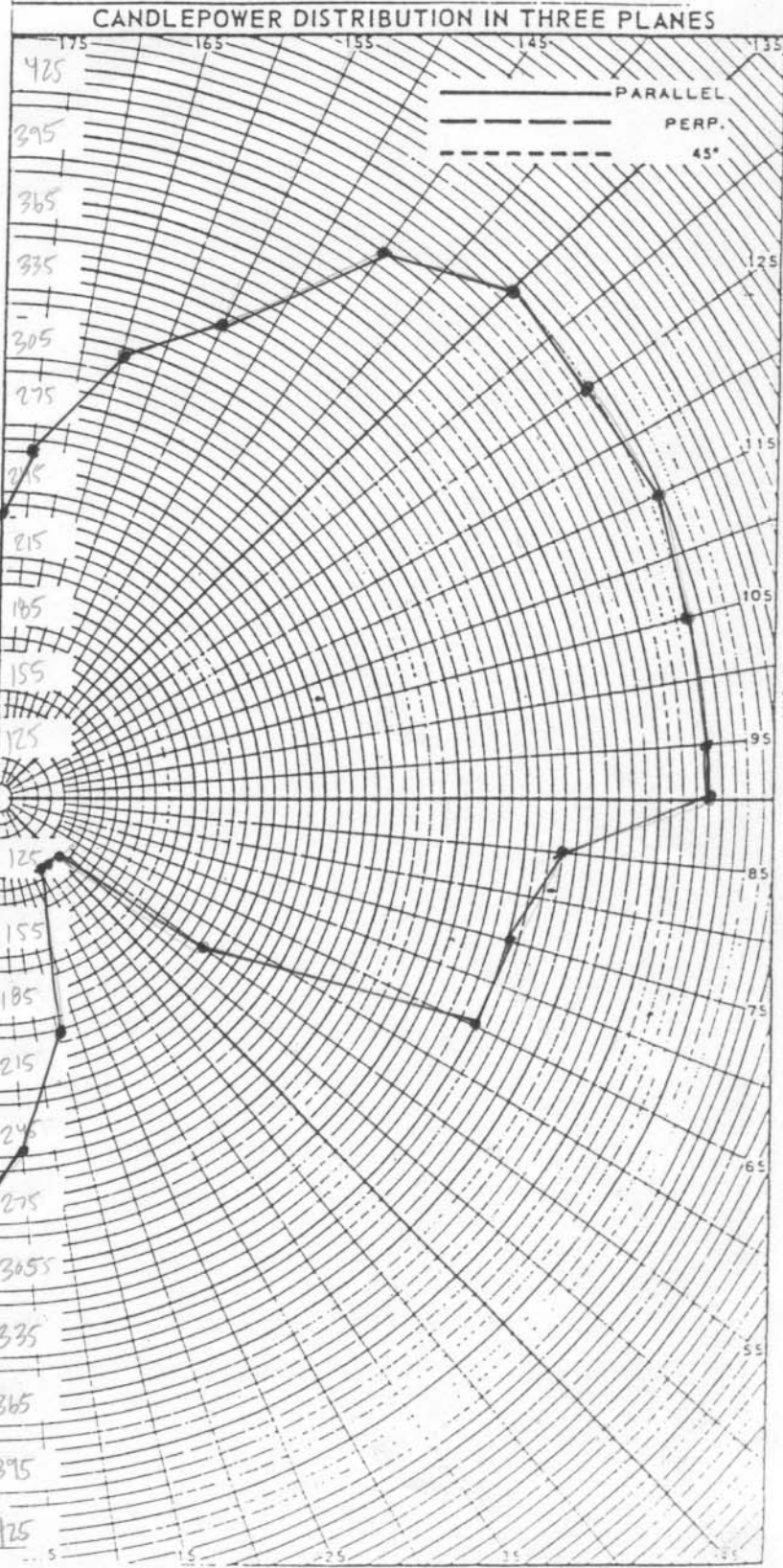
Fixture name: SPECULAR DISTORTION

- Focal Glow
- Ambient Luminescence
- Play of Brilliants

Mounting: wall  ceiling  floor   
 Lamp: 100 W A-19 Lumens/lamp:     

Materials: CASTING RESIN, STEEL MESH

**SKETCH**



**LUMINAIRE DISTRIBUTION DATA**

angles	parallel		perpen- dicular		45°	
	fc at: <sup>5'</sup> 10'	cd	fc	cd	fc	cd
0°	11	275				
5°	10	250				
15°	8	200				
25°	5	125				
35°	5	125				
45°	5	125				
55°	0	200				
65°	13	325				
75°	13	325				
85°	14	350				
90°	16	400				
95°	16	400				
105°	16	400				
115°	16	400				
125°	16	400				
135°	16	400				
145°	15	375				
155°	13	325				
165°	12	300				
175°	10	250				
180°	9	225				